

# HS-51/HS-51X WIRELESS HANDHELD READER

## CONFIGURATION GUIDE

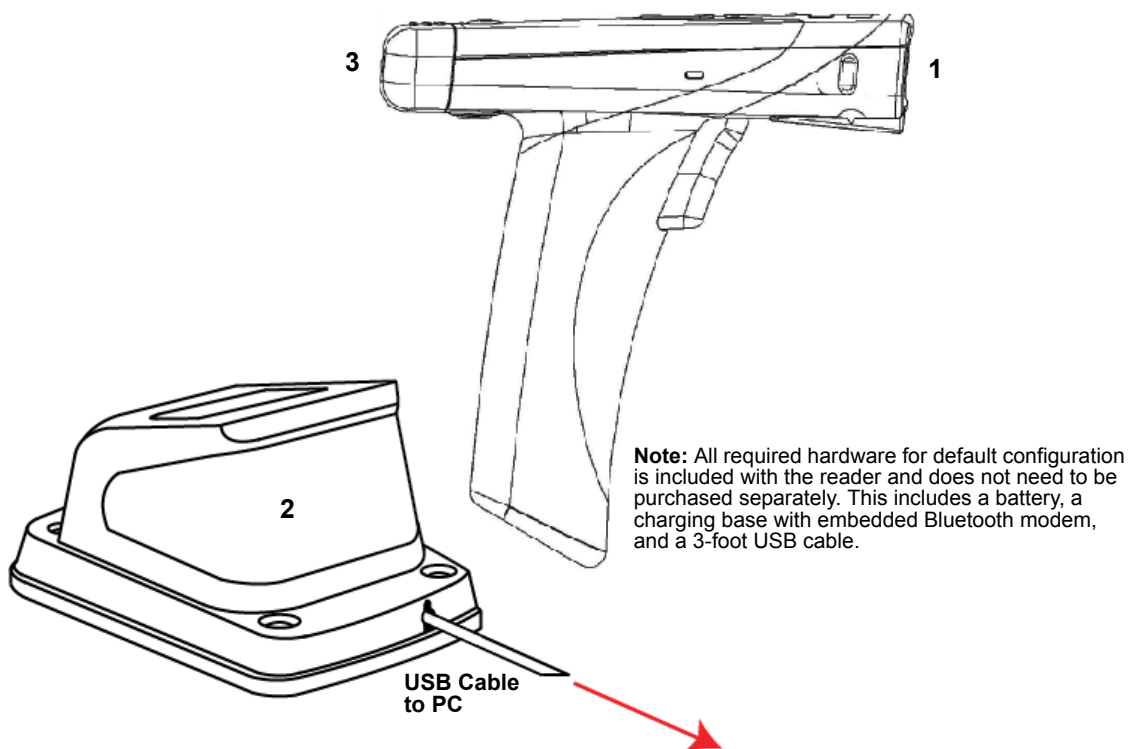


### Hardware

Item	Description	Part Number
1	HS-51 Wireless Handheld 2D Reader	FIS-HS51-0001G
	HS-51X Wireless Handheld DPM Reader	FIS-HS51X-0002G
2	Charging Station with Embedded Modem	
3	Lithium-Ion Battery	

### Configuration

#### Charging Station with Embedded Modem and Wireless Handheld Reader



### Accessories

Charging Station	98-9000007-01	Base, Charging, USB-Only, with USB Cable
Lithium-Ion Battery	98-9000008-01	Battery, Lithium-Ion, HS-51/HS-51X
4-Bay Charger	98-9000009-01	Charger, 4 Bay
Power Supply	20-000335-02	Power Supply, Wall Mount, U.S.
Power Supply	20-000336-02	Power Supply, Wall Mount, EU
Power Supply	20-000337-02	Power Supply, Wall Mount, UK
Microscan Tools Drive	37-000010-01	Software, Documentation, Links to Microscan Website