

HS-51 & 51X



无线手持读码器

HS-51和HS-51X是高性能无线手持式读码器，可以读取线性条码和二维码，也可读取直接零件标记（DPM）。这两款读码器结合了先进的解码算法和双光学视场，以及方便的蓝牙无线连接，功能全面，易于使用。

这两款手持读码器为所有条形码、二维码应用，即使是难以读取的低对比度条码提供了可靠的无线读取方案。

HS-51 & 51X: 简介

- 读取多数一维码和二维码
- 含X-Mode技术可读取直接零件标记 (HS-51X)
- 双光学视场适用于宽范围的高密度条码
- II 蓝牙无线通讯
- 电池可用50,000 次读取
- 耐用IP54 封装

ESP ESP® 简易设置程序：单点软件解决方案为所有 Microscan 阅读器提供迅速、简便的设置和配置。

GOOD READ 可见指示：“正常读取”绿色LED性能指示灯。

有关本产品的详细信息，请访问 www.microscan.com。

X-Mode 解码算法

HS-51X内含工业领先的X-Mode解码算法，可以高速读取损坏的，扭曲的或者其他难于读取的直接零件标记。

双光学视场

采用双光学视场，可以可靠地读取较大的一维条形码和高密度二维码。

充电插座

充电插座通过蓝牙连接交换和接受数据，LED灯来指示充电状态和正确读码器类型。另外还包括一个按钮来定位错位的读码器。

耐用外壳

紧凑的坚固外壳，能够承受多次从6英尺（1.8米）高的位置跌落到水泥地面上。

易于清洁

读码器的敏感部件由IP54级别封装保护，可耐受化学清洁剂腐蚀。

性能指示器

除了蜂鸣器之外，视觉和振动指标也可以在嘈杂和敏感环境中对成功读取进行静默确认。蓝色指示条可迅速地将读码器定位在条码中央，并同时反馈最佳的焦距。



应用领域

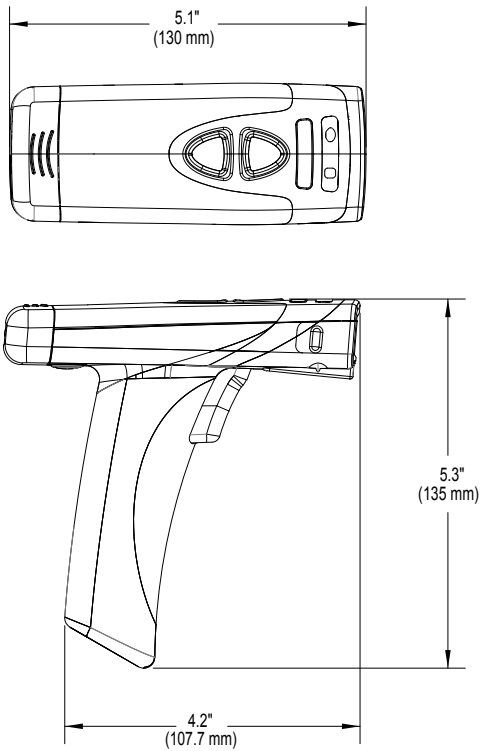
- 生命科学
- 电子制造
- 汽车制造
- 航空
- 医疗设备

HS-51 & 51X: 可读码



HS-51 & 51X HANDHELD IMAGER SPECIFICATIONS AND OPTIONS

IMAGER

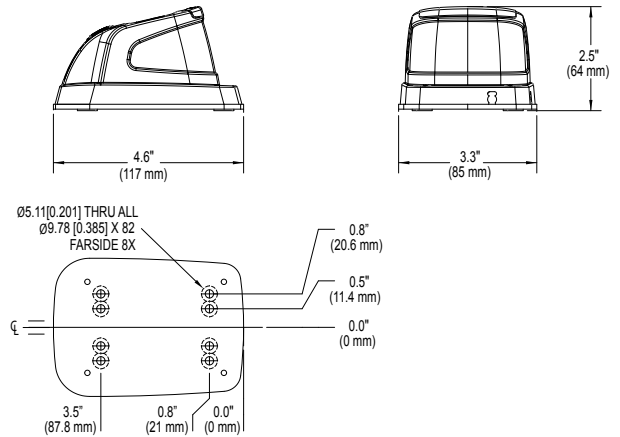


READ RANGE TABLE

Narrow-Bar	Read Range
STANDARD DENSITY	
1D	
.0050" (.127 mm)	3.7 to 5.0" (94 to 127 mm)
.0075" (.191 mm)	2.2 to 6.5" (56 to 165 mm)
.010" (.254 mm)	1.5 to 8.0" (38 to 203 mm)
.020" (.508 mm)	2.3 to 15.5" (58 to 394 mm)
2D	
.0050" (.127 mm)	3.7 to 4.6" (94 to 117 mm)
.0075" (.191 mm)	1.5 to 6.0" (38 to 152 mm)
.010" (.254 mm)	1.6 to 7.7" (41 to 196 mm)
.020" (.508 mm)	1.6 to 9.4" (41 to 239 mm)

Note: Specifications are subject to change. Working ranges are a combination of both the wide and high density fields.

CHARGING STATION



Note: Inches [millimeters]. Nominal dimensions shown. Typical tolerances apply.

MECHANICAL

Height: 5.3" (135 mm) **Width:** 2.0" (52 mm)
Depth: 5.1" (130 mm) **Weight:** 6.0 oz. (171 g)
Battery Weight: 1.7 oz. (48 g)

ENVIRONMENTAL

Operating Temperature: -20° to 55° C (-4° to 131° F)
Storage Temperature: -30° to 65° C (-22° to 150° F)
Humidity: 5% to 95% (non-condensing)
Shock: Withstands multiple drops of 6' (1.8 meters)

CE STANDARDS

Immunity: EN 55024
ESD: EN 61000-4-2
Radiated RF: EN61000-4-3
Keyed Carrier: ENV50204
EFT: EN61000-4-4
Conducted RF: EN61000-4-6
Emissions: EN55022, Class B Radiated, Class B Conducted
CB Test Certificate: IEC 60950-1:2001, First Edition

LIGHT COLLECTION OPTIONS

Sensor: CMOS 1.2 megapixel grayscale
Sensor Array: 1280 by 960
Field Selection: High density or wide
Field of View: High density field: 30° horizontal by 20° vertical; wide field: 50° horizontal by 33.5° vertical
Focal Point: Approximately 100 mm
Optical Resolution: High density field: 960 x 640; wide field: 960 x 640

ELECTRICAL

Reader @ 4.2VDC (mA): Typical/Peak: 362 mA; Idle: 80 mA; Sleep: 20 mA
Charging Station @ 5VDC (mA): USB max charge: 555 mA; USB trickle charge: 165 mA

SYMBOLOGIES

2D Symbologies: Data Matrix, QR Code, Micro QR Code, Aztec Code
Stacked Symbologies: PDF417, Micro PDF, GS1 Databar (Composite & Stacked)
Linear Symbologies: UPC/EAN/JAN, Code 39, Code 128, Interleaved 2 of 5, Codabar, Code 93,
Postal Symbologies: USPS OneCode (4CB), POSTNET, PLANET, Japanese Post, Australian Post, Royal Mail, KIX Code

COMMUNICATION PROTOCOLS

Imager: Bluetooth® (Class II)
Charging Station: USB 2.0 (Keyboard, virtual COM, generic HID)

READ PARAMETERS

Pitch: ±60° (front to back)
Skew: ±60° (from plane parallel to symbol (side-to-side))
Rotational Tolerance: ±180°
Print Contrast Resolution: 25% (1D symbologies); 35% (2D symbologies) absolute dark/light reflectance differential, measured at 650 nm
Ambient Light Immunity: Sunlight: Up to 9,000 ft.-candles/96,890 lux
Target Beam: Single, blue targeting bar

INDICATORS

Status Indicators: Beep, vibrate, LED flash

IMAGE OUTPUT OPTIONS

Format: JPEG

MEMORY CAPACITY

128MB Flash ROM, 32MB RAM

DATA EDITING

JavaScript (Additional License Required)

BATTERY

Capacity: 1300 mAh Li-ion
Scans: Up to 50,000 per charge

SAFETY CERTIFICATIONS DESIGNED FOR

FCC, CE

ROHS/WEEE COMPLIANT

ISO CERTIFICATION

Certified ISO 9001:2008 Quality Management System

©2017 Microscan Systems, Inc. SP082D-ZH-0417
 Read Range and other performance data is determined using high quality Grade A symbols per ISO/IEC 15415 and ISO/IEC 15416 in a 25° C environment. For application-specific Read Range results, testing should be performed with symbols used in the actual application. Microscan Applications Engineering is available to assist with evaluations. Results may vary depending on symbol quality.
Warranty—For current warranty information on this product, please visit www.microscan.com/warranty.

MICROSCAN®

Microscan Systems Inc.

Tel 425 226 5700 / 800 251 7711
 Fax 425 226 8250

Microscan Europe

Tel 31 172 423360 / Fax 31 172 423366

Microscan Asia Pacific

Tel 65 6846 1214 / Fax 65 6846 4641

www.microscan.com

Product Information: info@microscan.com
 Technical Support: helpdesk@microscan.com